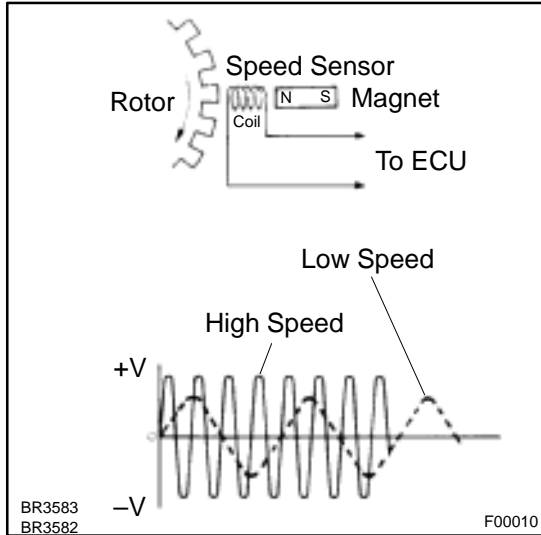


# CIRCUIT INSPECTION

<b>DTC</b>	<b>C0200/31 – C1239/39</b>	<b>Speed Sensor Circuit</b>
------------	----------------------------	-----------------------------

## CIRCUIT DESCRIPTION



The speed sensor detects wheel speed and sends the appropriate signals to the ECU. These signals are used to control the ABS system. The front and rear rotors each have 48 serrations.

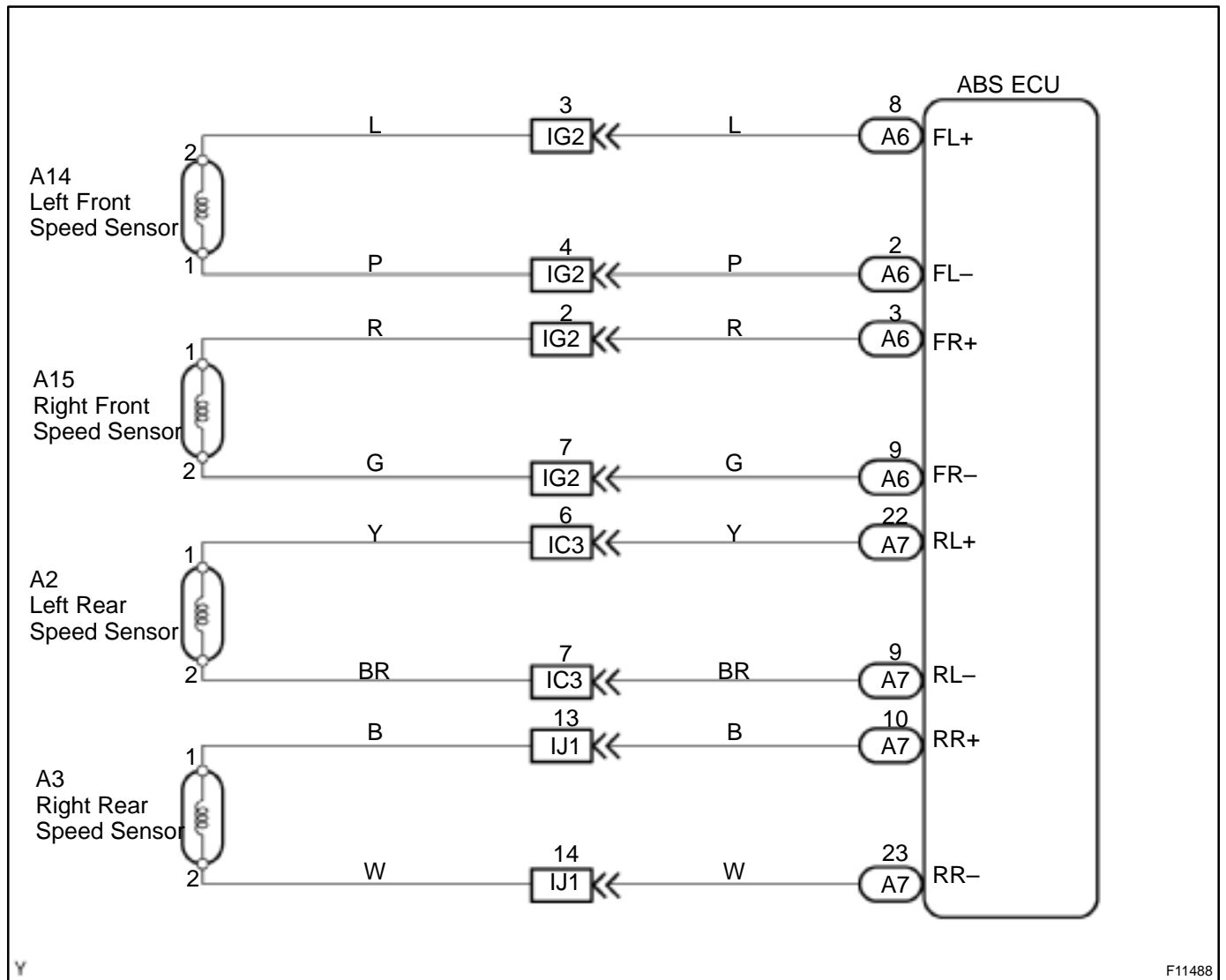
When the rotors rotate, the magnetic field emitted by the permanent magnet in the speed sensor generates an AC voltage. Since the frequency of this AC voltage changes in direct proportion to the speed of the rotor, the frequency is used by the ECU to detect the speed of each wheel.

DTC No.	DTC Detection Condition	Trouble Area
C0200/31 C0205/32 C0210/33 C0215/34	Detection of any of conditions from 1. through 3.: 1. Vehicle speed is at 10 km/h (6 mph) or more and open or short of the speed sensor signal circuit continues 15 sec. or more. 2. Momentary interruption of the speed sensor signal occurs 7 times or more. 3. Open circuit condition of the speed sensor signal circuit continues for 0.5 sec. or more.	<ul style="list-style-type: none"> <li>• Right front, left front, right rear or left rear speed sensor</li> <li>• Each speed sensor circuit</li> <li>• Speed sensor rotor</li> </ul>
C1235/35 C1236/36 C1238/38 C1239/39	Vehicle speed is at 20 km/h (12mph) or more and interference on the speed sensor signal continues for 5 sec. or more.	<ul style="list-style-type: none"> <li>• Right front, left front, right rear or left rear speed sensor</li> <li>• Each speed sensor circuit</li> <li>• Speed sensor rotor</li> </ul>
C0210/33 C0215/34	The condition that the both rear side wheels' speed is lower than the front wheels' speed at 20 km/h (12 mph) or more for 20 sec. or more when the IG switch turns ON and OFF, which is repeated in a sequence more than 8 times.	<ul style="list-style-type: none"> <li>• Rear axle hub</li> <li>• Right rear or left rear speed sensor</li> <li>• Rear speed sensor circuit</li> </ul>

**HINT:**

- DTC Nos. C0200/31 and C1235/35 are for the right front speed sensor.
- DTC Nos. C0205/32 and C1236/36 are for the left front speed sensor.
- DTC Nos. C0210/33 and C1238/38 are for the right rear speed sensor.
- DTC Nos. C0215/34 and C1239/39 are for the left rear speed sensor.

WIRING DIAGRAM



## INSPECTION PROCEDURE

### HINT:

Start the inspection from step 1 in case of using the TOYOTA hand-held tester and start from step 2 in case of not using the TOYOTA hand-held tester.

<b>1</b>	<b>Check output value of speed sensor.</b>
----------	--------------------------------------------

### PREPARATION:

- (a) Connect the TOYOTA hand-held tester to the DLC3.
- (b) Turn the ignition switch ON and push the TOYOTA hand-held tester main switch ON.
- (c) Select the DATALIST mode on the TOYOTA hand-held tester.

### CHECK:

Check that there is no difference between the speed value output from the speed sensor displayed on the TOYOTA hand-held tester and the speed value displayed on the speedometer when driving the vehicle.

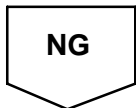
### OK:

**There is almost no difference from the displayed speed value.**

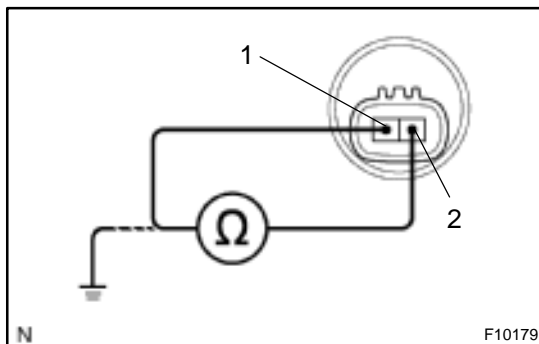
### HINT:

There is tolerance of  $\pm 10\%$  in the speedometer indication.

<b>OK</b>	<b>Check and replace ABS ECU.</b>
-----------	-----------------------------------



<b>2</b>	<b>Check speed sensor.</b>
----------	----------------------------



### Front speed sensor:

#### PREPARATION:

- (a) Make sure that there is no looseness at the connector lock part and connecting part of the connector.
- (b) Disconnect the speed sensor connector at hub bearing.

#### CHECK:

Measure the resistance between terminals 1 and 2 of the speed sensor connector.

#### OK:

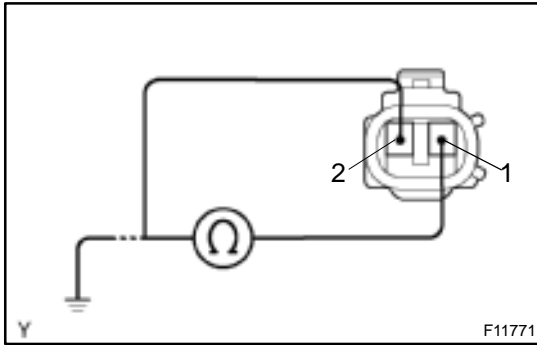
**Resistance: 1.1 – 1.3 kΩ at 25°C**

#### CHECK:

Measure the resistance between terminals 1 and 2 of the speed sensor connector and body ground.

#### OK:

**Resistance: 1 MΩ or higher**

**Rear speed sensor:****PREPARATION:**

- Make sure that there is no looseness at the connector lock part and connecting part of the connector.
- Disconnect the speed sensor connector.

**CHECK:**

Measure the resistance between terminals 1 and 2 of the speed sensor connector.

**OK:**

**Resistance: 0.9 – 1.3 kΩ at 25 ± 5 °C**

**CHECK:**

Measure the resistance between terminals 1 and 2 of the speed sensor connector and body ground.

**OK:**

**Resistance: 10 MΩ or higher**

**Front speed sensor sub-wire:****PREPARATION:**

- Remove the fender liner.
- Make sure that there is no looseness at the connector lock part and connecting part of the connector.
- Disconnect the speed sensor connector inside vehicle.

**CHECK:**

- Measure the resistance between terminal 1 of connector 1 and terminal 2 of connector 2.
- Measure the resistance between terminal 2 of connector 1 and terminal 1 of connector 2.

**OK:**

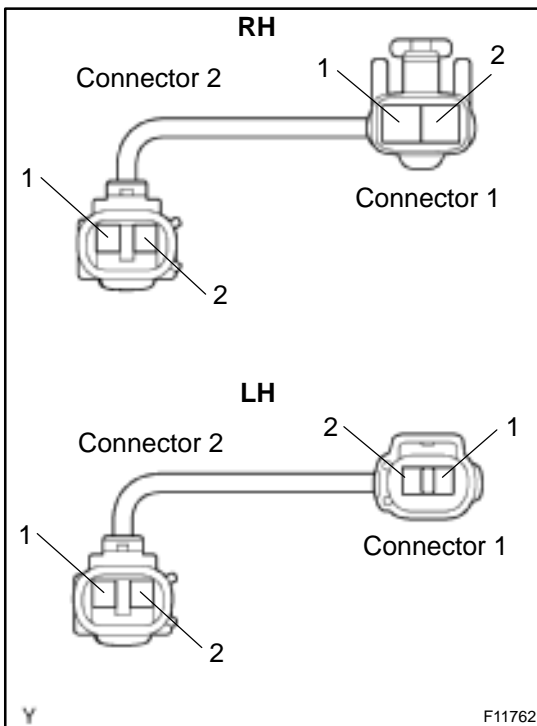
**Resistance: below 1 Ω**

**CHECK:**

Measure the resistance between terminals 1 and 2 of connector 1 and body ground.

**OK:**

**Resistance: 10 MΩ or higher**

**NG****Replace speed sensor or sub-wire harness.****NOTICE:**

Check the speed sensor signal last (See page [DI-154](#)).

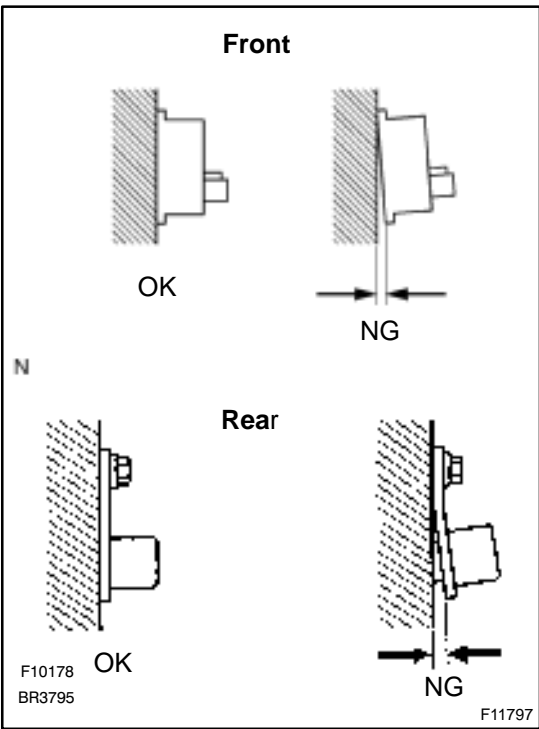
**OK**

**3** Check for open and short circuit in harness and connector between each speed sensor and ABS ECU (See page [IN-28](#)).

**NG** Repair or replace harness or connector.

**OK**

**4** Check speed sensor installation.



**CHECK:**

Check the speed sensor installation.

**OK:**

The installation bolt is tightened properly and there is no clearance between the sensor and steering knuckle or rear axle carrier.

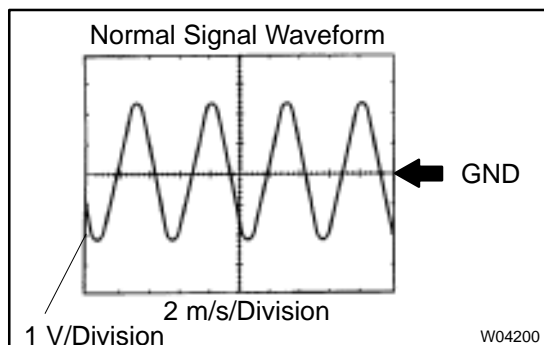
**NG** Replace speed sensor.

**NOTICE:**

Check the speed sensor signal last (See page [DI-154](#)).

**OK**

## 5 Check speed sensor and sensor rotor serrations.



### REFERENCE: INSPECTION USING OSCILLOSCOPE

#### PREPARATION:

- Remove the ABS ECU with the connectors still connected.
- Connect the oscilloscope to terminals FR+, FL+, RR+ or RL+ and GND of the ABS ECU.

#### CHECK:

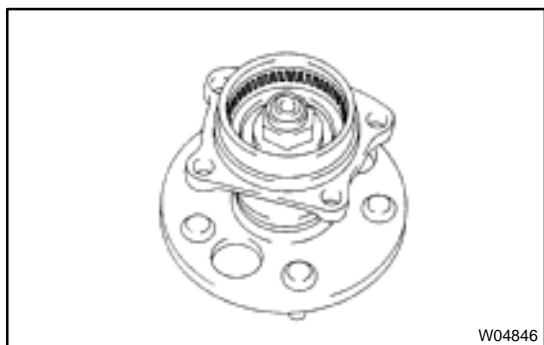
Drive the vehicle at about 30 km/h (19 mph), and check the signal waveform.

OK

Check and replace ABS ECU.

NG

## 6 Check sensor rotor and sensor tip.



### Front:

#### PREPARATION:

Remove the front speed sensor (See page [BR-51](#)).

#### CHECK:

Check the sensor rotor serrations.

#### OK:

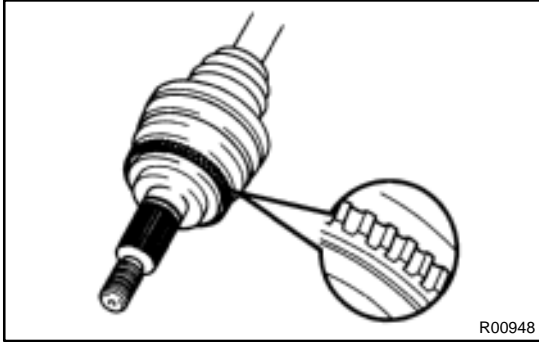
No scratches or missing teeth or foreign objects.

#### CHECK:

Check the sensor tip.

#### OK:

No scratches or foreign objects on the sensor tip.



**Rear:**

**PREPARATION:**

Remove the rear drive shaft (See page SA-41).

**CHECK:**

Check the sensor rotor serrations.

**OK:**

**No scratches or missing teeth or foreign objects.**

**PREPARATION:**

Remove the rear speed sensor (See page BR-56).

**CHECK:**

Check the sensor tip.

**OK:**

**No scratches or foreign objects on the sensor tip.**

<b>NG</b>	<b>Replace sensor rotor or speed sensor.</b>
-----------	----------------------------------------------

**NOTICE:**

Check the speed sensor signal last (See page DI-154).

**OK**

**Check and replace ABS ECU.**